

# Assembly Instruction

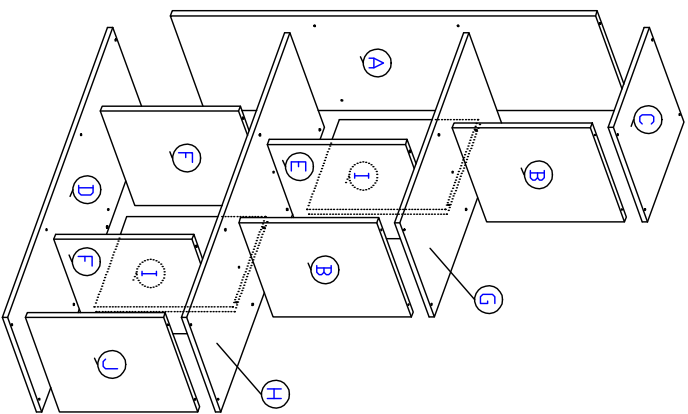


## Model : IS - 1

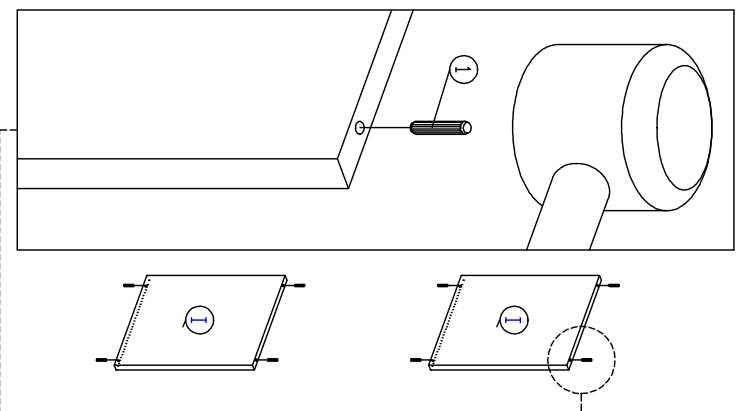
	<input checked="" type="checkbox"/>		<input checked="" type="checkbox"/>		<input checked="" type="checkbox"/>		<input checked="" type="checkbox"/>		<input checked="" type="checkbox"/>		<input checked="" type="checkbox"/>
--	-------------------------------------	--	-------------------------------------	--	-------------------------------------	--	-------------------------------------	--	-------------------------------------	--	-------------------------------------

<b>1</b>		<b>2</b>		<b>3</b>		<b>4</b>		<b>5</b>	
----------	--	----------	--	----------	--	----------	--	----------	--

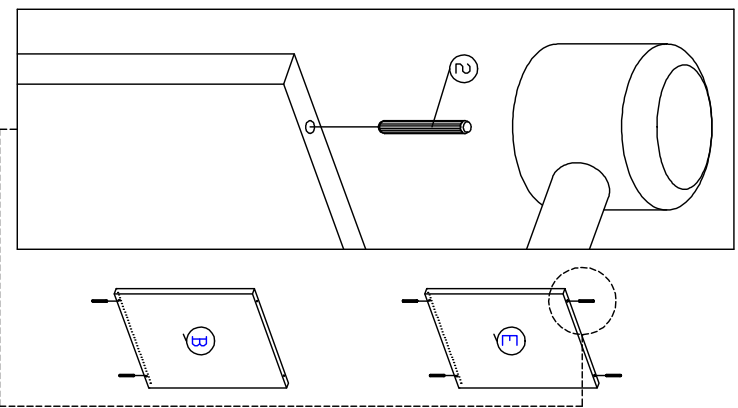
### PART LIST



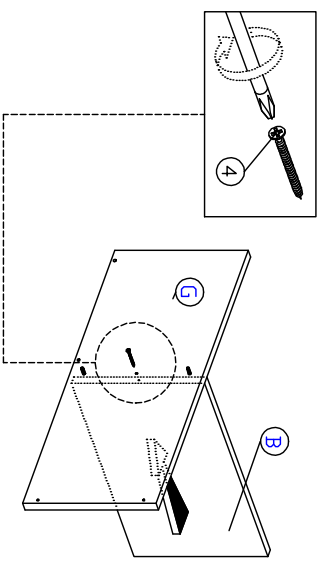
### Step 1



### Step 2



### Step 3



### Step 4

